

LED Downlight

DLD8



Features:

1. Professionally treated die-casting a-alloy housing.
2. Panel made of acrylic with super light transmission.
3. Exquisite appearance, visual appealing.
4. Easy heat dissipation secured long life of LED.
5. The separate design of power supply and the main body, further prolonged their lifespan.
6. High efficiency and energy saving LED driver.
7. An ideal replacement of the traditional canister light.

Technical Parameter:

Voltage:100-240V AC,50/60Hz

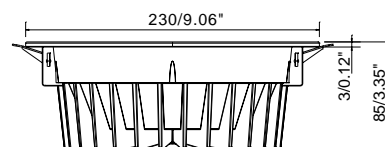
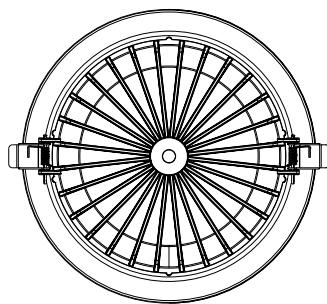
Power:35W

Led Q'ty:72

PF:>0.9

Weight:1.15kg

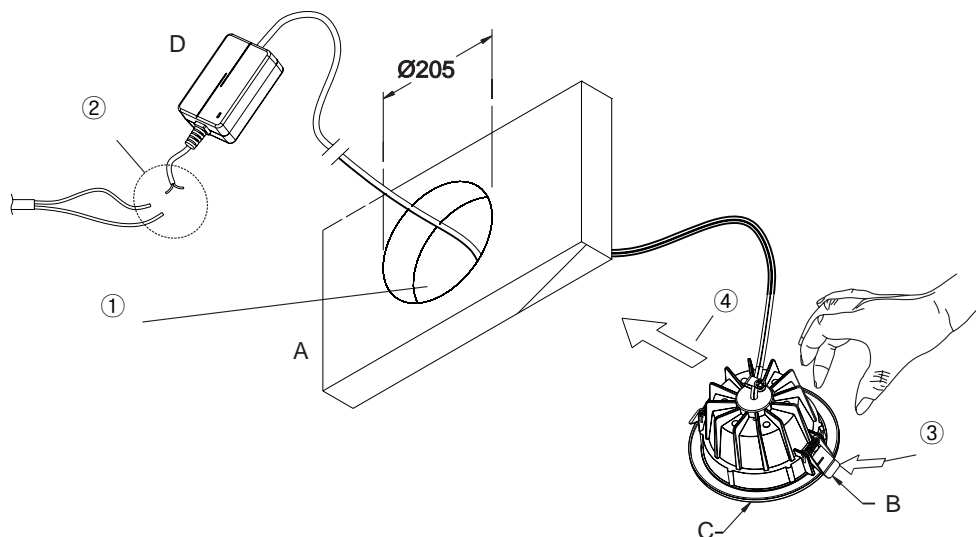
Dimenions(unit:mm/inch):



Specification:

Model Number	Color	LED Type	Light Output (lm)	CCT	Beam angle	Power Consumption	Voltage	PF
DLD8-035-AW-W	White	5730 SMD	3465	5000-7000K	100°	35W	100-240V AC 50/60Hz	>0.9
DLD8-035-AW-WW	Warm white		2879	2700-3500K				
DLD8-035-AW-NW	Natural White		3291	4000-5000K				
DLD8-024-AW-W	White	5730 SMD	1582	5000-7000K	100°	24W	100-240V AC 50/60Hz	>0.9
DLD8-024-AW-WW	Warm white		1313	2700-3500K				
DLD8-024-AW-NW	Natural White		1507	4000-5000K				
DLD8-016-AW-W	White	5730 SMD	987	5000-7000K	100°	16W	100-240V AC 50/60Hz	>0.9
DLD8-016-AW-WW	Warm white		819	2700-3500K				
DLD8-016-AW-NW	Natural White		937	4000-5000K				
DLD8-008-AW-W	White	5730 SMD	564	5000-7000K	100°	8W	100-240V AC 50/60Hz	>0.9
DLD8-008-AW-WW	Warm white		468	2700-3500K				
DLD8-008-AW-NW	Natural White		538	4000-5000K				

Installation drawing

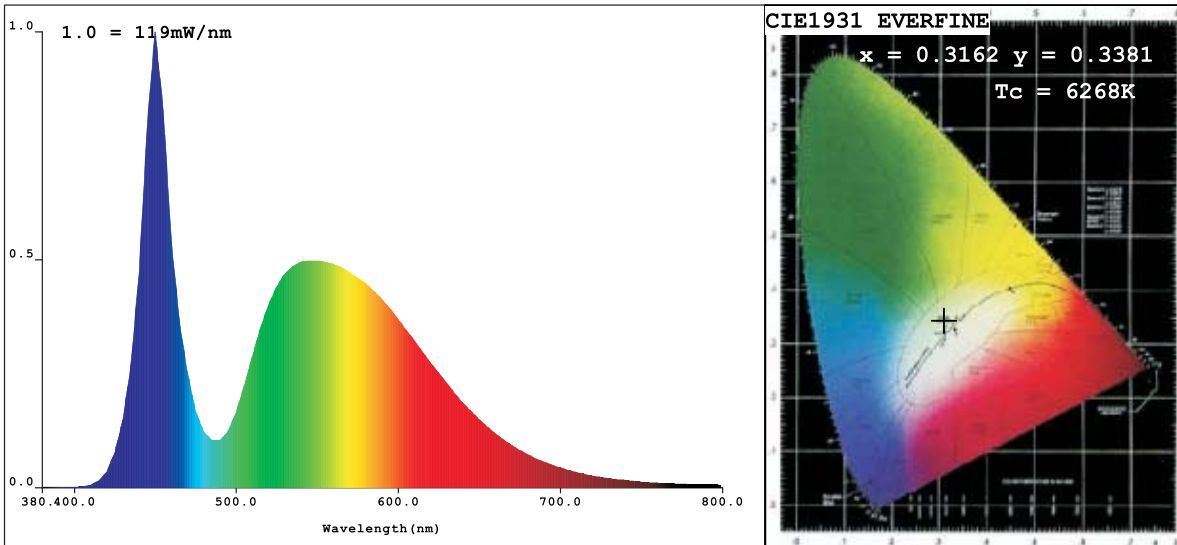


A	Wall
B	Spring
C	LED lamp
D	Driver

①	make a hole
②	connect the power wire
③	push spring
④	put the lamp into the hole

DL D8-035-AW-W

Light Source Test Report



CIE Color Parameters:

Chromaticity Coordinate: $x=0.3162$ $y=0.3381$ / $u'=0.1968$ $v'=0.4736$ ($duv=6.09$)

CCT: $T_c=6268K$ Prcp WaveL: $\lambda_d=495.3nm$ Purity=5.5%

Peak WaveL: $\lambda_p=450nm$ Half Width: $\Delta\lambda_p=20.7nm$ Ratio: R=12.0% G=84.1% B=3.9%

Average Wave: 544nm

Rendering Index: $R_a=71.5$

R1 =68 R2 =75 R3 =78 R4 =72 R5 =69 R6 =66 R7 =83 R8 =60

R9 =0 R10=40 R11=67 R12=36 R13=69 R14=88 R15=64

Photo Parameters:

Flux: $\Phi=3465.4(lm)$ Luminous Efficacy: 98.75(lm/W) Luminous Power: $P=10.57(W)$

Electrical Parameters:

$U=221.2V$ $I=0.1672A$ $P=35.09W$ $PF=0.948$

Instrument Status:

Scan Range: 380.0nm-800.0nm

Interval: 5.0nm

$I_p = 15020(G=2, D=48)$

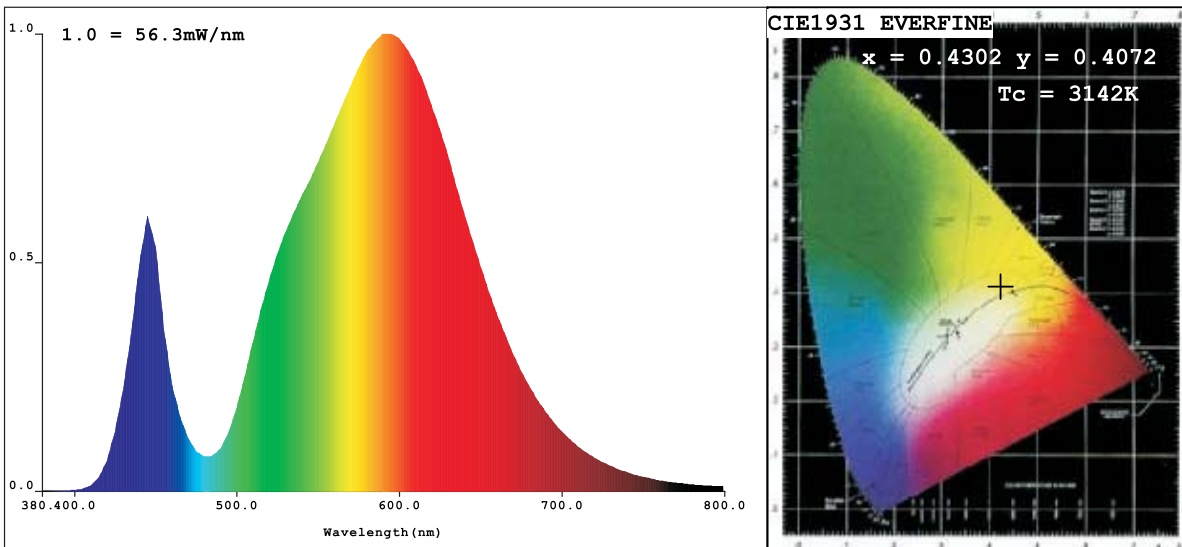
REF = 7541

TMP (PMT) = 25.7(deg.celsius)

Test Mode: Fast Test

DLD8-035-AW-WW

Light Source Test Report



CIE Color Parameters:

Chromaticity Coordinate: $x=0.4302$ $y=0.4072$ / $u'=0.2449$ $v'=0.5216$ (duv=2.25)

CCT: $T_c=3142K$ Prcp WaveL: $\lambda_d=581.4nm$ Purity=51.4%

Peak WaveL: $\lambda_p=595nm$ Half Width: $\Delta\lambda_p=126.0nm$ Ratio: R=20.3% G=78.2% B=1.5%

Average Wave: 584nm

Rendering Index: Ra=71.3

R1 =68 R2 =79 R3 =88 R4 =70 R5 =67 R6 =70 R7 =80 R8 =49

R9 =0 R10=50 R11=64 R12=42 R13=70 R14=93 R15=61

Photo Parameters:

Flux: $\Phi=2879.2(lm)$ Luminous Efficacy: 82.41(lm/W) Luminous Power: P=8.220(W)

Electrical Parameters:

U=221.3V I=0.1673A P=34.93W PF=0.944

Instrument Status:

Scan Range: 380.0nm-800.0nm

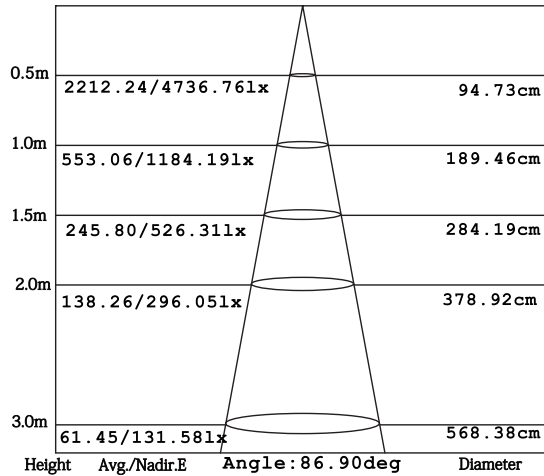
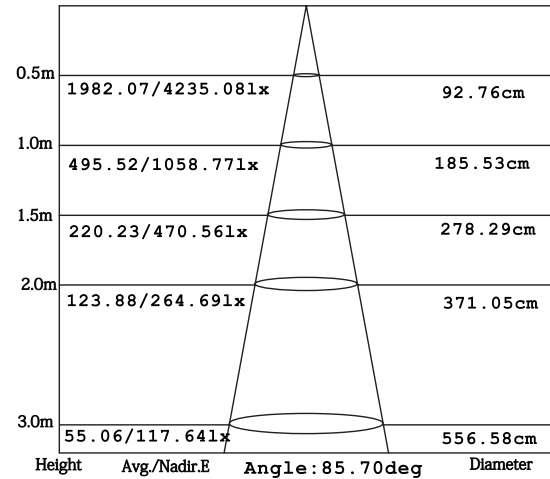
Interval: 5.0nm

Ip = 23417(G=3,D=48)

REF = 6267

TMP (PMT) = 24.8(deg.celsius)

Test Mode: Fast Test

DLD8-035-AW-W

DLD8-035-AW-WW


Signcomplex Limited Warranty

Signcomplex warrants this product ("Product") against defects in material or workmanship for a period of three years from the date of purchase. If this Product is determined to be defective, Signcomplex will repair or replace the Product, at its option. This warranty does not cover cosmetic damage or damage due to acts of God, accident, misuse, abuse, negligence, commercial use, or modification of, or to any part of the Product. This warranty does not cover damage due to improper operation or maintenance, connection to improper voltage supply, or attempted repair by anyone than a facility authorized by Signcomplex to service the Product.

Repair or replacement as provided under this warranty is the exclusive remedy of the customer. Signcomplex shall not be liable for any incidental or consequential damages for breach of any express or implied warranty on this Product except to the extent prohibited by applicable law, any implied warranty of merchantability or fitness for a particular purpose on this Product is limited in duration to the duration of this limited warranty.

Some states do not allow the exclusion or limitation of incidental or consequential damages, or allow limitations on how long an implied warranty lasts, so the above limitations or exclusions may not apply to you. This warranty gives you specific legal rights, and you may have other rights which vary from state to state.

Only Signcomplex may change, amend or modify the terms of this Limited Warranty and any such change, amendment or modification shall be in writing and is sued by Signcomplex. To obtain warranty service and shipping information call +86 755 2760 8650 or e-mail info@signcomplex.com. You must provide proof of purchase in the form of a bill of sale or receipted invoice which is evidence that the Product is within the warranty period to obtain warranty service. Consumers have legal rights under applicable national legislation governing the sale of consumer goods. Such rights are not affected by the warranties provision outlined in this document.

