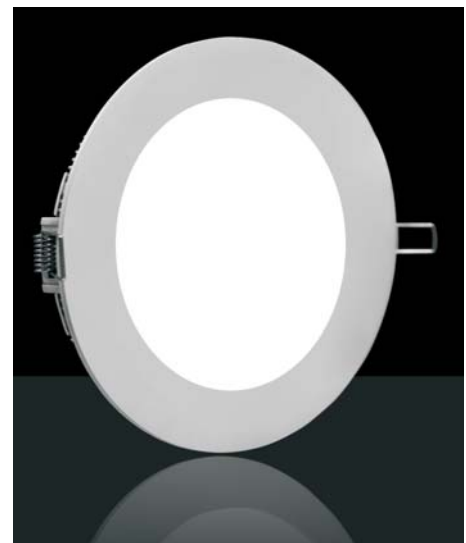


4" LED Panel Light

Features

- Color: cool white, warm white, other available.
- Color temperature: cool white: 5700-7000K, nature white: 4000-5000K, warm white: 2700-3300K
- Enclosure material: Die-casting
- Power factor > 0.95
- Beam angle: 105 Degree
- Saving energy: 50%
- Long lifespan: 40,000Hrs
- IP code: IP43
- Gross weight: 280g
- Working voltage: 100-240Vac/50-60Hz
- LED Source: 3014 SMD LED, 78PCS.
- Reflector: milk color PMMA
- No UV, no IR
- Standard warranty: 3 years
- Safety standard: RoHS, CE, UL pending

DL-008-AW-01W
DL-008-AW-01WW
DL-008-AW-01NW



Applications

LED panel light can be widely used in the hotel, restaurant, supermarket, school, office, factory, fields or open spaces and the other architecture.

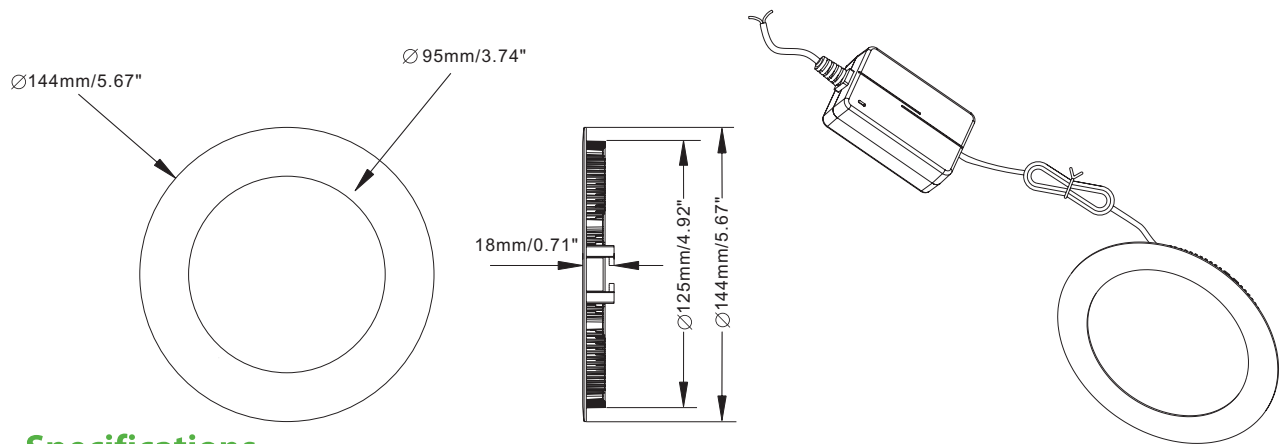


 **RoHS**
COMPLIANT

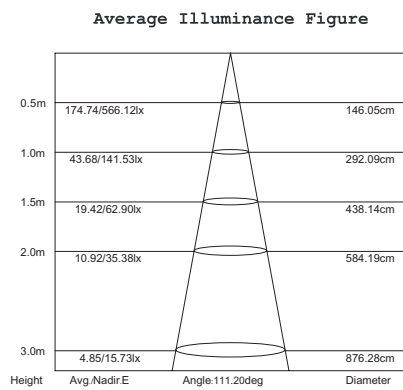


 warranty 3 years

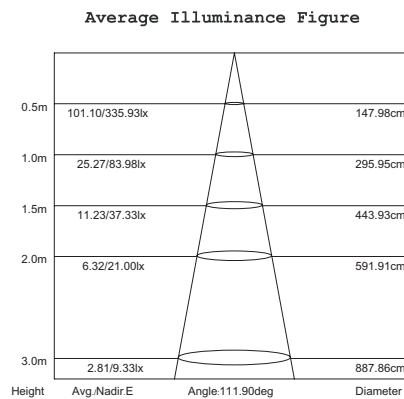
Dimensions



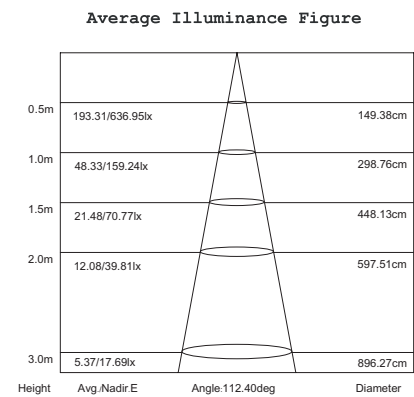
Specifications



DL-008-AW-01W



DL-008-AW-01WW



DL-008-AW-01NW

Model #	Color	LED Type	CCT	Rated Power Consumption	CRI	Luminous Flux	Working Voltage	Beam Angle	Weight
DL-008-AW-01W	Cool White	SMD 3014	5802K	8W	76	422lm	100-240Vac	105°	280g
DL-008-AW-01WW	Warm White	SMD 3014	2869K	8W	70	369lm	100-240Vac	105°	
DL-008-AW-01NW	Nature White	SMD 3014	3902K	8W	72	409lm	100-240Vac	105°	

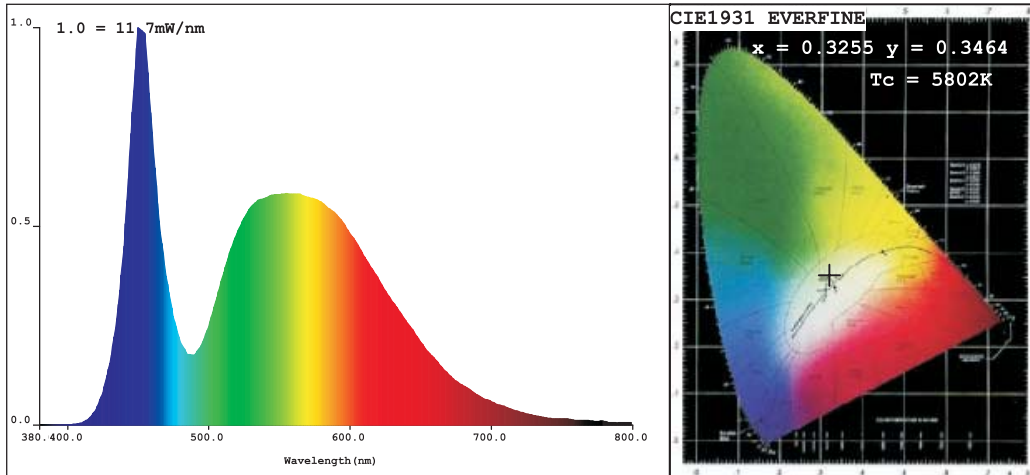
Absolute Maximum Rating

Parameter	Rating	Units
Aluminum Heat sink Temperature	70	° C
Operating Temperature	-20~+40	° C
Storage Temperature	-20~+80	° C
Equilibrium Temperature	58	° C

DL-008-AW-01W

Spectrophotometer Test Report

Light Source Test Report



CIE Color Parameters:

Chromaticity Coordinate: $x=0.3255$ $y=0.3464$ / $u'=0.2002$ $v'=0.4792$ ($duv=5.81$)

CCT: $T_c = 5802K$ Prcp WaveL: $\lambda_d = 515.8nm$ Purity=2.7%

Peak WaveL: $\lambda_p = 450nm$ Half Width: $\Delta\lambda_p = 24.6nm$ Ratio: R=13.1% G=82.6% B=4.3%

Average Wave: 547nm

Rendering Index: $R_a = 75.9$

R1 =73 R2 =81 R3 =85 R4 =75 R5 =73 R6 =73 R7 =85 R8 =62

R9 =0 R10=53 R11=71 R12=44 R13=75 R14=92 R15=68

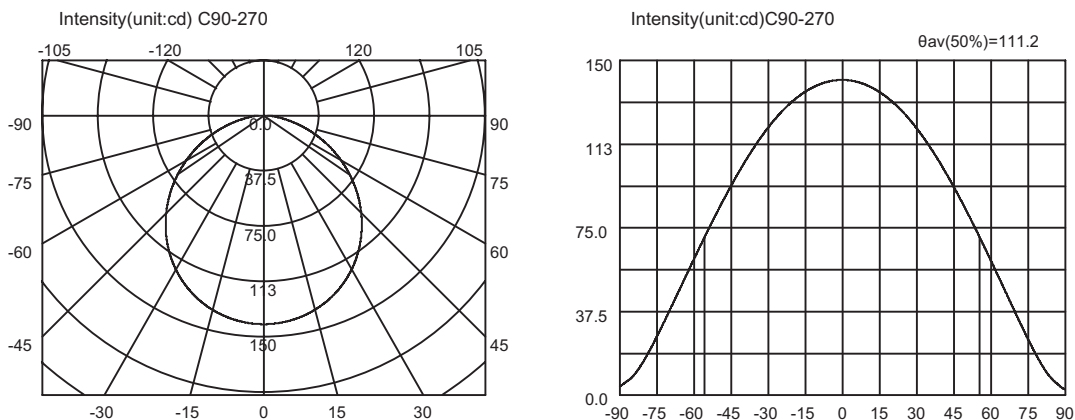
Photo Parameters:

Flux: $\Phi = 422.48(lm)$ Luminous Efficacy: 49.57(lm/W) Luminous Power: $P = 1.294(W)$

Electrical Parameters:

U=220.9V I=0.0412A P=8.523W PF=0.936

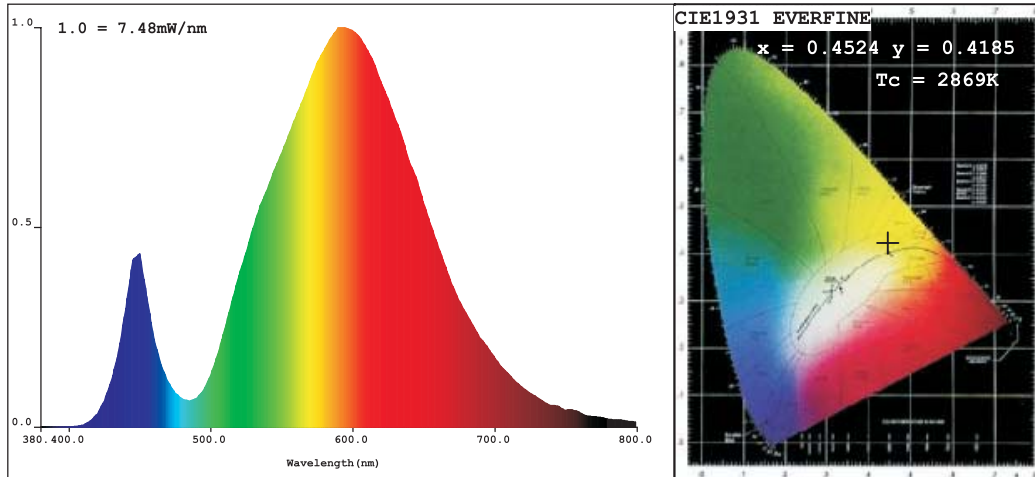
GONIOPHOTOMETER Test Report



DL-008-AW-01WW

Spectrophotometer Test Report

Light Source Test Report



CIE Color Parameters:

Chromaticity Coordinate: $x=0.4524$ $y=0.4185$ / $u'=0.2543$ $v'=0.5292$ ($duv=3.65$)
 CCT: $T_c=2869K$ Prcp WaveL: $\lambda_d=582.2nm$ Purity=61.4%
 Peak WaveL: $\lambda_p=595nm$ Half Width: $\Delta\lambda_p=126.0nm$ Ratio: R=21.8% G=77.0% B=1.2%
 Average Wave: 592nm
 Rendering Index: $R_a=70.3$
 R1 =67 R2 =79 R3 =89 R4 =67 R5 =64 R6 =69 R7 =81 R8 =48
 R9 =0 R10=50 R11=59 R12=37 R13=68 R14=93 R15=61

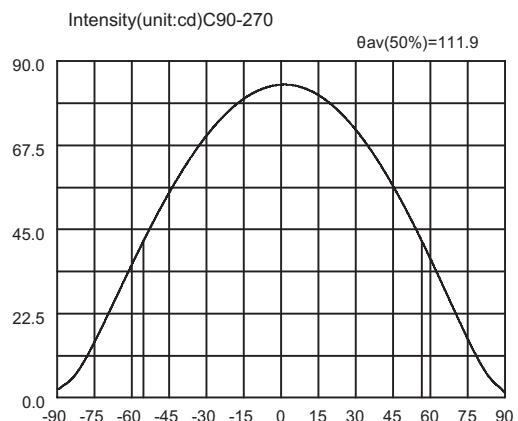
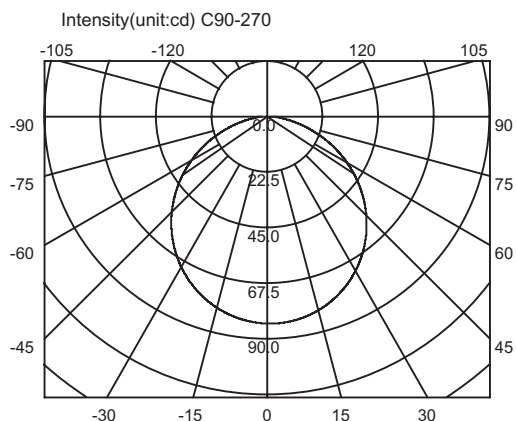
Photo Parameters:

Flux: $\Phi=369.15(lm)$ Luminous Efficacy: 43.75 (lm/W) Luminous Power: $P=1.072(W)$

Electrical Parameters:

U=221.0V I=0.0409A P=8.438W PF=0.933

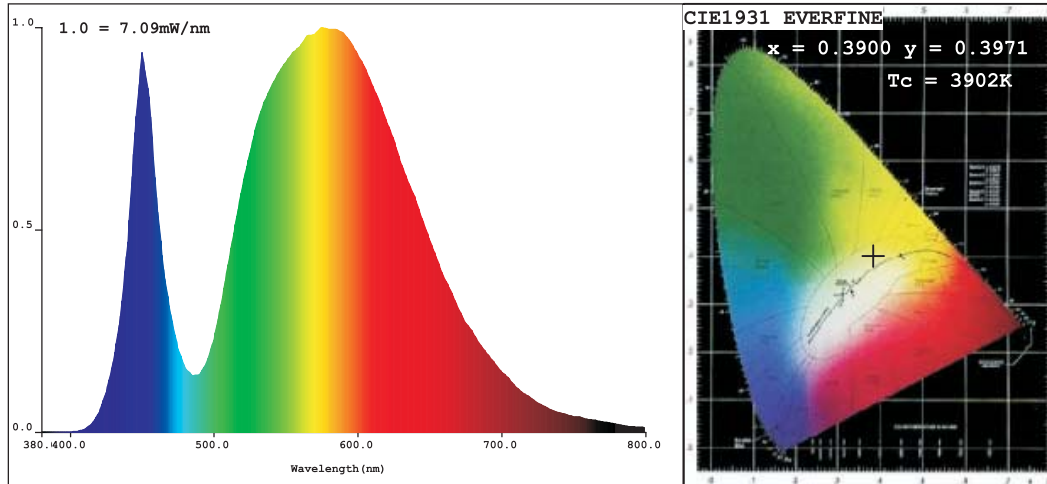
GONIOPHOTOMETER Test Report



DL-008-AW-01NW

Spectrophotometer Test Report

Light Source Test Report



CIE Color Parameters:

Chromaticity Coordinate: $x=0.3900$ $y=0.3971$ / $u'=0.2233$ $v'=0.5116$ ($duv=6.55$)
 CCT: $T_c = 3902K$ Prcp WaveL: $\lambda_d = 576.6nm$ Purity=36.2%
 Peak WaveL: $\lambda_p = 575nm$ Half Width: $\Delta\lambda_p = 133.6nm$ Ratio: R=16.7% G=81.1% B=2.2%
 Average Wave: 573nm
 Rendering Index: Ra=71.6
 R1 =68 R2 =78 R3 =84 R4 =70 R5 =67 R6 =67 R7 =84 R8 =55
 R9 =0 R10=46 R11=63 R12=34 R13=69 R14=91 R15=63

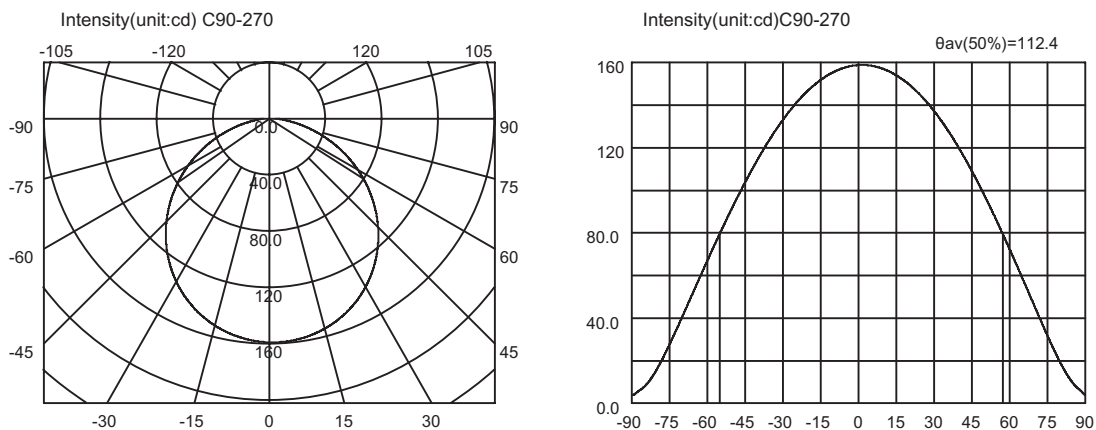
Photo Parameters:

Flux: $\Phi = 409.34(lm)$ Luminous Efficacy: 49.85(lm/W) Luminous Power: $P = 1.175(W)$

Electrical Parameters:

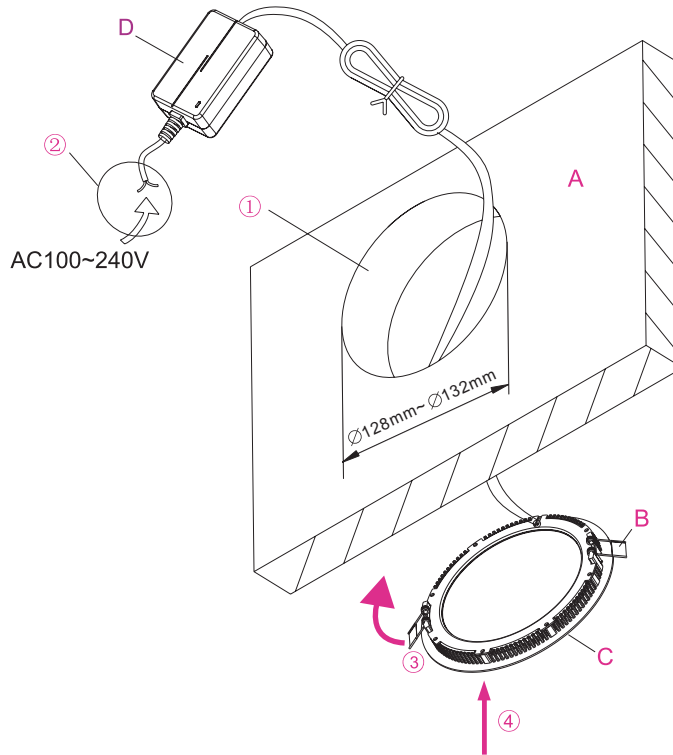
U=220.2V I=0.0401A P=8.211W PF=0.930

GONIOPHOTOMETER Test Report



Installation drawing

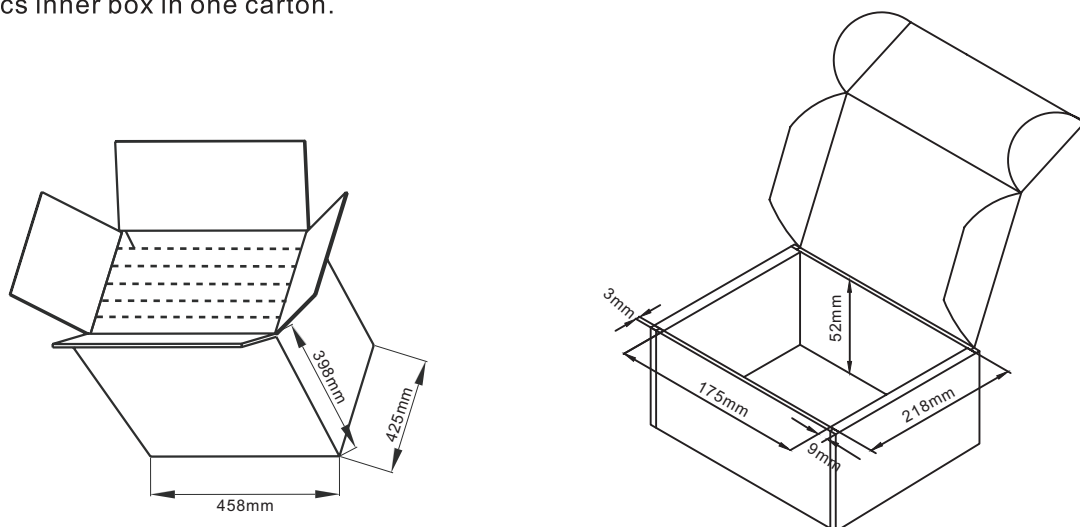
①	make a hole
②	connect the power wire
③	push spring
④	put the lamp into the hole



A	Wall
B	Spring
C	LED lamp
D	Driver

Packing Specification

1. All dimension units are millimeter.
2. 28 pcs inner box in one carton.



Signcomplex Limited Warranty

Signcomplex warrants this product ("Product") against defects in material or workmanship for a period of three years from the date of purchase. If this Product is determined to be defective, Signcomplex will repair or replace the Product, at its option. This warranty does not cover cosmetic damage or damage due to acts of God, accident, misuse, abuse, negligence, commercial use, or modification of, or to any part of the Product. This warranty does not cover damage due to improper operation or maintenance, connection to improper voltage supply, or attempted repair by anyone than a facility authorized by Signcomplex to service the Product.

Repair or replacement as provided under this warranty is the exclusive remedy of the customer. Signcomplex shall not be liable for any incidental or consequential damages for breach of any express or implied warranty on this Product except to the extent prohibited by applicable law, any implied warranty of merchantability or fitness for a particular purpose on this Product is limited in duration to the duration of this limited warranty.

Some states do not allow the exclusion or limitation of incidental or consequential damages, or allow limitations on how long an implied warranty lasts, so the above limitations or exclusions may not apply to you. This warranty gives you specific legal rights, and you may have other rights which vary from state to state.

Only Signcomplex may change, amend or modify the terms of this Limited Warranty and any such change, amendment or modification shall be in writing and is issued by Signcomplex. To obtain warranty service and shipping information call +86 755 2760 8650 or e-mail info@signcomplex.com. You must provide proof of purchase in the form of a bill of sale or receipted invoice which is evidence that the Product is within the warranty period to obtain warranty service. Consumers have legal rights under applicable national legislation governing the sale of consumer goods. Such rights are not affected by the warranties provision outlined in this document.